

Distributed Version Control

Steven J Zeil

February 28, 2013

Contents

1	git	4
1.1	History	6
1.2	Exploration	6
2	Collaboration	8
3	Eclipse Integration	21

Distributed Version Control

Distributed version controls models relax the dependency upon a central repository as the keeper of the one true project.

- In theory, everyone has a snapshot of an entire development history.
 - In essence, you check out the entire past history of a project.
 - And every checked out copy becomes an independent branch.
- Developers may decide for themselves which of these branches should merge
 - Merging and conflict resolution, which are treated as exceptional operations in centralized systems, are regarded as the norm in this model.

.....

Sounds Like Anarchy

- In practice, projects often do have a central repository for “official” releases.
- But splinter projects are easier to form
 - and can continue to share some changes until the code base diverges too much.

.....

A Synthesis of Local and Remote

In a distributed model, a developer maintains

- a local repository
 - into which changes can be committed (as in local models like **rcs**)
- and periodically may synchronize with a remote repository
 - which might be centralized or just another developer's

.....

Two-Level Commits

The local/remote division helps resolve a common dilemma in centralized VC systems:

- When or how often should we commit changes?
 - In a centralized system, we have conflicting goals
 - * Safeguard against losing work: argues for committing frequently
 - * Avoid interfering with other developers by not checking in incomplete work
A newly checked-out copy should always compile and yield a (roughly) working product.
a.k.a., “Don’t break the build!”
 - In a two-level system, we can commit frequently to the local repository and only when a “unit” of work is completed, commit to the remote repository.

.....

1 git

git Revisions

- Unlike earlier VC systems, a **git** revision is a state of the entire project rather than of a single file/directory.
 - After committing a change, the entire system, even unchanged files, advance to a new revision ID
 - * Of course, “behind the curtain” you are still going to have incremental diffs, but that does not affect our visible interactions
- Because of the distributed model,
 - revision numbers cannot simply be incremented in any meaningful fashion
 - there is a need to easily determine when two revisions in two different repositories are, in fact, copies of the same system state
- Revision numbers are therefore replaced by hash codes computed over the file set that constitutes the entire project

.....

git Revisions

A **git** repository contains, conceptually, a collection of snapshots (a.k.a., commit objects, a.k.a. revisions, a.k.a. versions).

Each snapshot contains

- The set of files for the project
- The name of this snapshot (hash code)

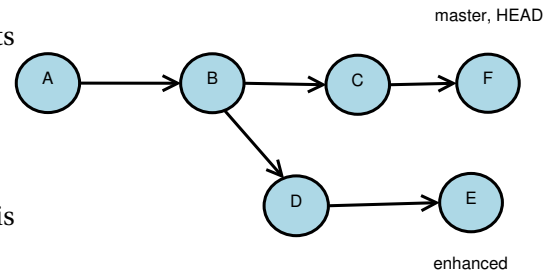
- References to the parent snapshots
 - Most have one parent
 - Initial commit would have zero
 - Merges can result in a snapshot with multipel parents

.....

Heads

A **git** repository also contains a collection of *heads*.
These are human-assigned names for selected snapshots.

- Heads refer to the most recent snapshot in a chain of commits
 - Hence heads actually identify branches
- Every repository has a head “master”.
- At any given time, one head is considered active. This one is aliased to the head “HEAD”.



.....

How shall I name thee?

Snapshots in a repository may be identified by giving

- Its SHA1 hashcode
- A long enough prefix of that hashcode to be unique
- By a head

- Relative to one of these: ^ means “parent-of”
 - e.g., HEAD^ would be the state before our most recent commit

.....

1.1 History

Common Local History Commands

- `git add files stages` modified files, scheduling the current version to be included in the next commit (recurring through directories)
 - An intermediate step not needed in earlier VC systems
- `git commit -m message` commits all staged changes to the local repository
 - Add a `-a` to add all modified files in the current directory and below to the staging set
- `git status` lists modified files
- `git diff file` displays what was changed

.....

1.2 Exploration

Every Local Repository is a Branch

So one way to “branch” in **git** is to simply check out a new copy.
But sometimes we want to branch within a local repository

.....

Branching Within a Local Repository

- `git branch newHeadName desiredParentSnapshot` creates a new branch
- `git checkout branchHead` switches to a new branch
 - Replaces the files in the current directory by a copy of the state for that branch.

.....

When Should I Commit? (Another perspective)

git users consider branches to be cheap.

So some advocate

- Always work in branches
- Keep the master branch in a releasable state

.....

Merging Local Branches

- `git merge head` produces a new snapshot representing the merge of the current one (HEAD) with the named *head*.

The merged revision will have both HEAD and *head* as parents.

- **git** identifies the more recent common ancestor of the two branches and performs a 3-way merge
 - * If a change (compared to the common ancestor) does not conflict (overlap) any changes from the other branch, the change is copied automatically into the merged state.

- * If conflicts are determined, markers are inserted into the working copy of the file and the user alerted.
 - If the merge completes without conflict, the resulting merged state is committed.
 - * If conflicts were found, the working copy is updated but no commit takes place.
- Branches not needed after a merge can be deleted
- `git branch -d head` removes the head name from the repository (but does not actually delete the history of changes along the branch).

.....

2 Collaboration

Collaboration

Collaboration in **git** takes the form of interaction between your local repository and a remote repository.

- Concepts (and, sometimes, commands) are much the same as in the local mode

.....

Starting from a Remote Repository

If you are working with an existing remote repository

```
git clone \replaceable {remoteSpec}
```

creates a new local repository as a copy of the remote one.

- The *remoteSpec* names the remote repository
 - Could be a simple file path if on the same machine

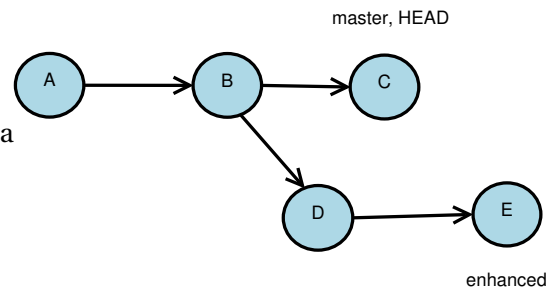
- Could be an http:// URL (generally for anonymous access)
- Could be an ssh address

- Example

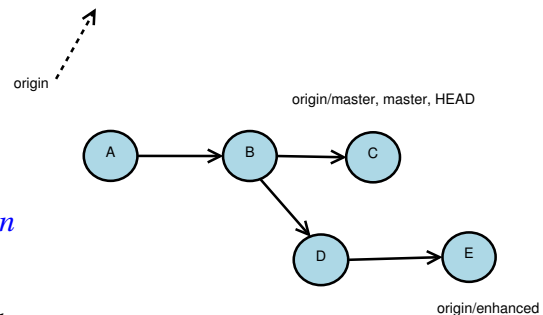
.....

Cloning

Suppose that we have a remote repository with two branches and a few commit objects on each.



- Our local cloned repository will remember its remote *origin* repository.
- All heads from the remote repository will be cloned as *origin/head*
- We will get a local master head



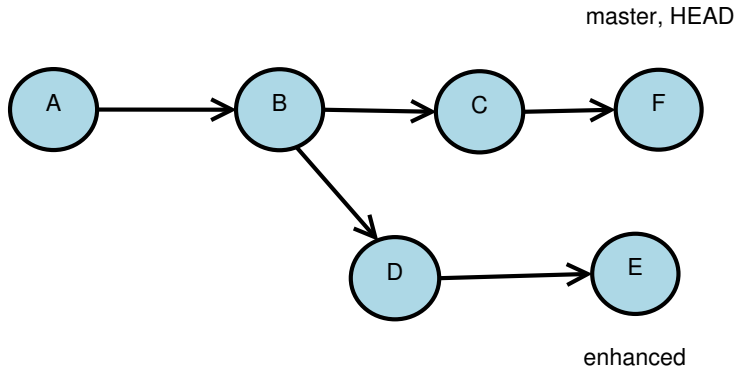
- You can request local heads for non-master branches by *tracking*, e.g.

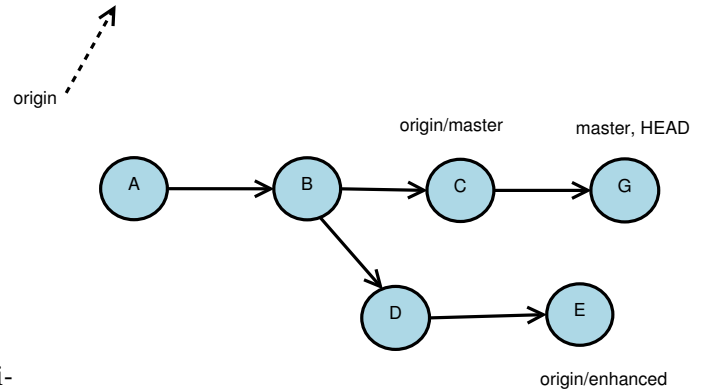
```
git branch --track enhanced origin/enhanced
```

Life after Cloning

Suppose each repository adds a commit along the trunk:

local



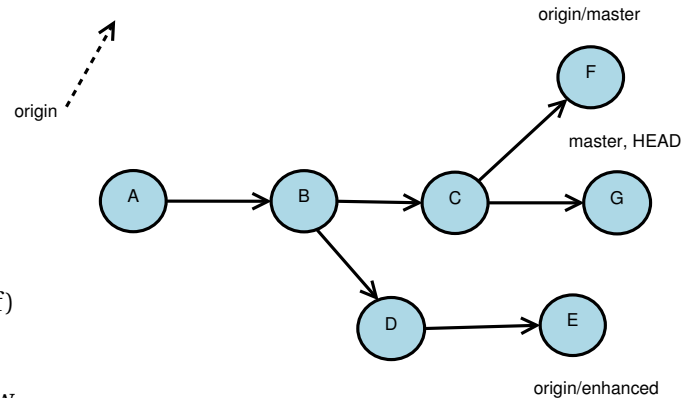


Our local heads separate from the remembered positions of the remote ones.

.....^.....

Fetching Remote Changes

The basic command to get changes from the remote repository is `git fetch`



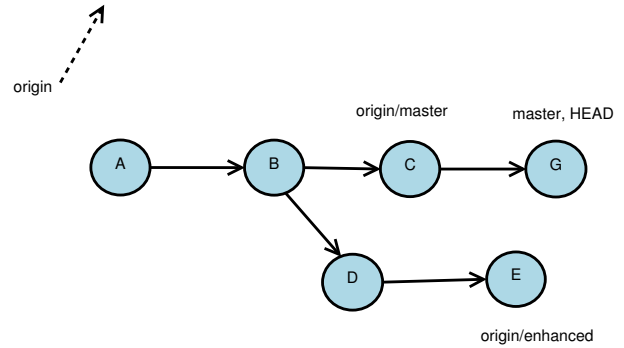
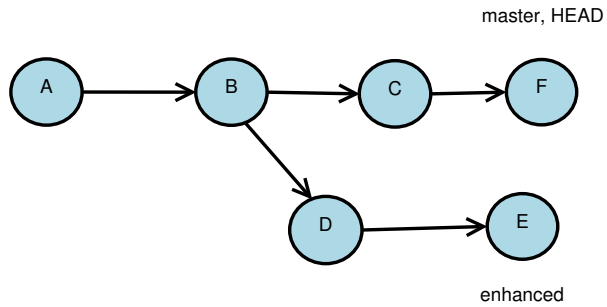
Remember, each repository is, in essence, a new (set of) branch(es)

- If states are not identical, they are fetched as new branches
- Local heads are unaffected

.....^.....

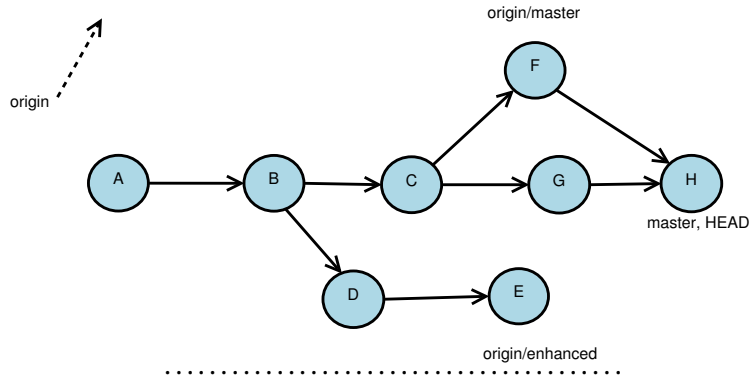
Pulling Remote Changes

More commonly used than fetching is *pulling*, which combines a fetch and a merge



^

```
git pull origin master
```

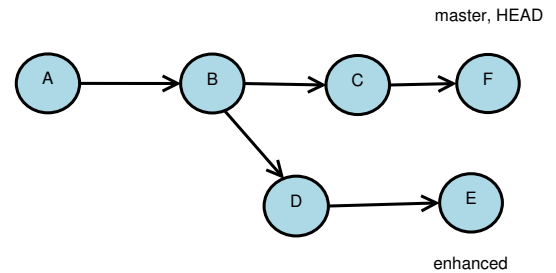


Pushing to the Remote Repository

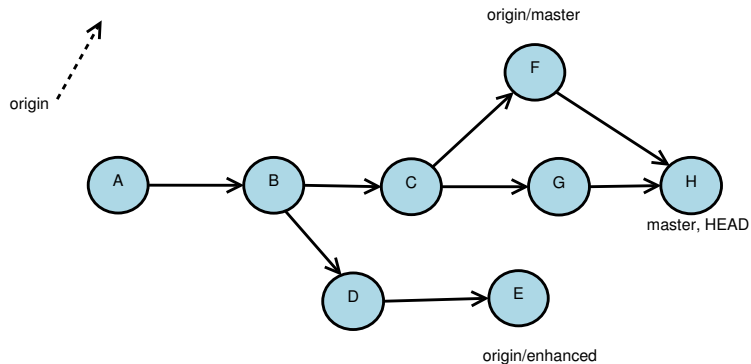
The *push* command

- sends local commits to a remote repository
- Advances the remote head marker to the end of the list of changes.

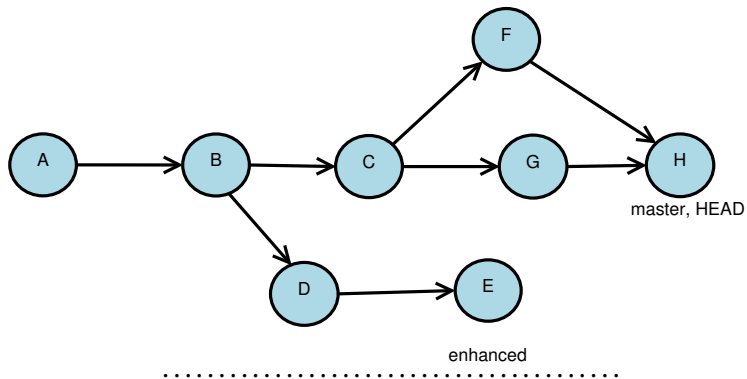
If the remote repository looks like this



and our local repository looks like this



`git push origin master`



Push is NOT the Opposite of Pull

It's actually the opposite of fetch

- No merge is done when pushing

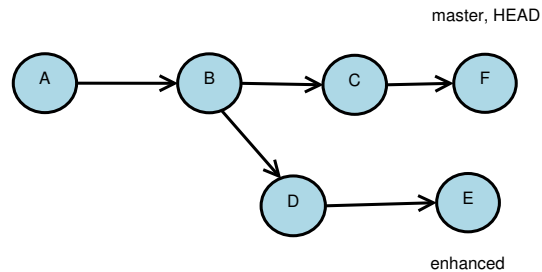
This leads to an important restriction

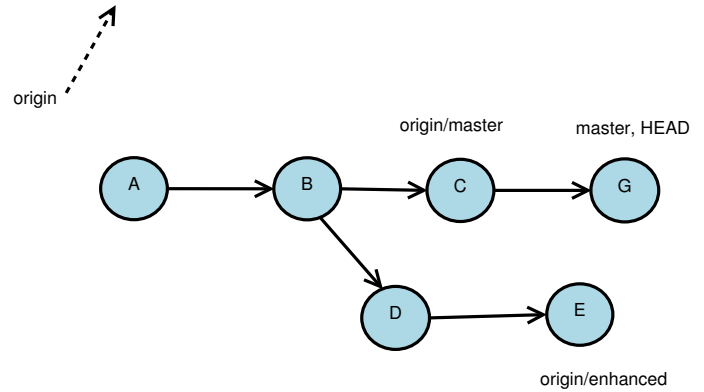
The remote head must point, before a push, to an ancestor of the commit that it would point to after the push.

.....

This Push Will Fail

If the remote repository looks like this





and our local repository looks like this,

- the push will fail

^

because if it went through, we would lose access to a state already committed in the remote repository.

.....

Avoiding Bad Pushes

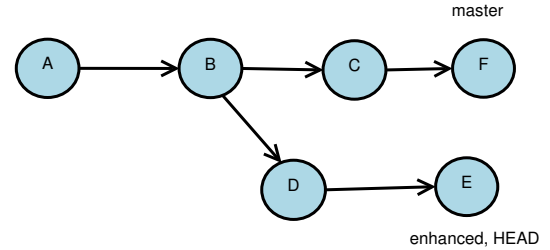
- Easiest thing to do is to do a pull into the local repository first, then do the push.
 - And hope no one sneaks in ahead of you
- An alternative is *rebasing*

.....

Rebasing

Rebasing changes the parent relationship of the current head so that it appears to have been derived directly from some other selected head.

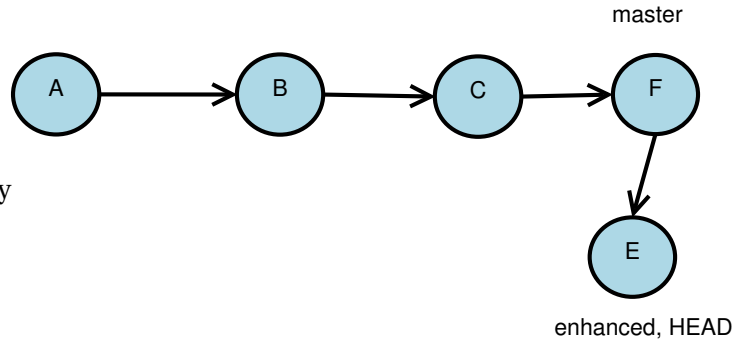
If we start with this and do



git rebase master

we get this.

- Looks like enhanced was derived directly from the master head.



The Perils of Rebasing

For all the talk about rebasing in the **git** literature, you would think it was a very common operation. But,

- rebasing loses information
 - with usually very little savings in storage
- done at the wrong time, can make pushing to a remote server much harder

.....

Why Rebase?

Generally recommended only for

- Managing an unshared branch that you want to keep up to date with the master and don't care if you lose history.
- Recovering from a failed push when someone else sneaks in between your pull and your subsequent push.
 - You fetch their changes
 - Then rebase your head to appear as if it were derived from their head.
 - You can then push, because you have guaranteed that the remote head is an ancestor of yours
 - * Unless someone else sneaks in another push while you are doing the rebase.
 - * Isn't distributed access fun?!

.....

3 Eclipse Integration

Eclipse Integration

Again, a plugin (*Egit*) is needed that is not part of the Eclipse base distribution. Operations is similar to the CVS and SVN plugins, except that

- The Team menu gains new commands to push and pull.
- There is no New...Project from Git option.

- Instead, use the Import menu.

.....

Eclipse, git, and a Forge

1. A Forge environment will create an empty repository
2. Use the Git Repository Exploring perspective to clone the repository.
 - Store it outside your normal Eclipse workspace.
3. Create a directory to hold the project as a sibling of the `.git` directory you have just obtained.
 - Put at least one file of content (e.g., a `build.xml` file) in that directory.
4. In Eclipse, do `File`⇒ `Import` and select `Git`. Follow the instructions to name your local repository that you just cloned and “Use New Project Wizard”.
5. When the regular project wizard starts, direct it to your project folder you created in step 3.
6. After the new project wizard is completed, Eclipse still will not show the project as managed by Git.
 - Use `Team`⇒ `Share project...` You’ll be asked what repository to use. Let Eclipse try to find it. (It should be able to do so).
7. Use `Team`⇒ `Add to index` to add files to version control.
8. `Team`⇒ `Commit` (or `Synchronize`).
9. `Team`⇒ `Push`.

.....